



CR552RX REMIX RUBBER TIRE ASPHALT PAVER



CR552RX REMIX RUBBER TIRE ASPHALT PAVER

Features:

- 10 ft (3.0 m) high-production mainline paver
- Patented Remix Anti-Segregation System
- Turbocharged 260 hp Tier 3 diesel engine
- Power-tilt hood with integral radiator
- Up to 30 ft (9.1 m) paving widths
- Patented Frame Raise System
- Patented Three-Point Suspension
- Fume-recovery system mitigates fumes

CR552RX Rubber Tire Paver

Tractor

- All-welded mainframe construction
- 24.5 x 32 in (622 x 813 mm) rear drive tires
- Oscillating front wheel bogie assemblies
- Two-wheel drive or front wheel assist
- Automatic hydraulic front wheel alignment
- Hydraulic power steering
- Differential lock
- Direct hydrostatic drive
- Three-Point suspension
- Adjustable spreading auger height via frame raise
- Oscillating push rollers or truck hitch
- Power tilt hood with integral radiator
- Fume-recovery system mitigates fumes
- Adjustable material retaining plates
- Operator's umbrella

Screed

- Screed assist (Stretch 20[®])
- One-piece hardened steel screed plate
- Hydraulically adjustable screed vibrators
- Electric heat or oil heaters
- Manual and hydraulic power mat depth control
- Hydraulic power crown control
- Power match height adjustment (Stretch 20 and VersaScreed[®] 210)
- Vertically adjustable screed end gates
- Hydraulic screed lift with mechanical screed lock

Feed System

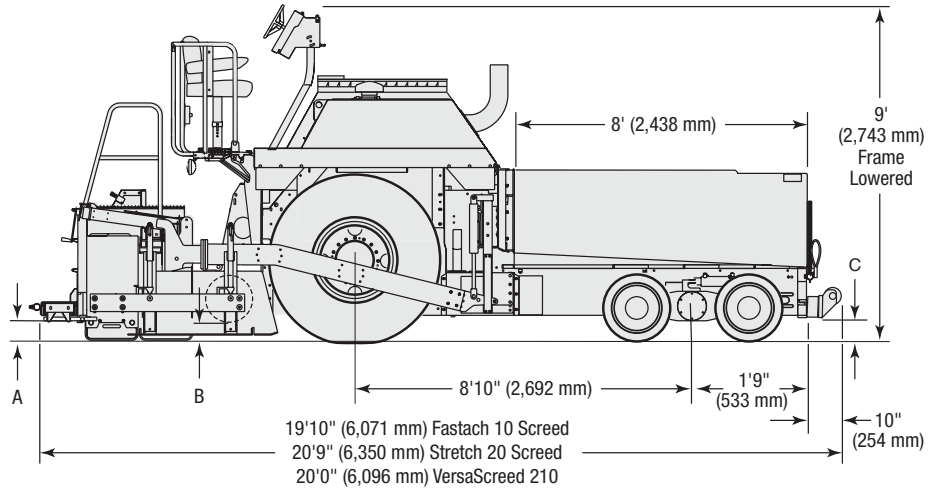
- Reinforced, sealed, tilting hopper wings with beveled corners
- Twin counter-rotating variable pitch Remix augers with one-piece shafts
- Independently controlled right and left feed systems
- Independently controlled delivery and spreading augers
- System interlocks stop feed when paver stops

Controls

- Operator swing console with spring loaded center lock and variable position cam lock
- Full instrumentation gauges
- Electric-over-hydraulic propel control steering wheel with dial-in working speed
- Lockout/tagout capable E-stop and master electrical switch

Hydraulic System

- Engine-mounted, enclosed, Poly Chain[®] belt pump drive
- Variable-displacement pumps for tractor drives, right and left feed systems and auxiliary circuits
- Fixed-displacement pump for vibrator circuit with flow control valve for frequency adjustment
- Centralized filter locations
- Remote-control solenoids with function-check LED
- Rear gearbox Remix auger drive



	A	B	C	
	Screed Clearance	Auger Clearance Screed Up	Auger Clearance Screed Down	Frame Clearance
Frame Raised	15 1/2 in (394 mm)	9 in (229 mm)	9 1/2 in (241 mm)	6 1/2 in (165 mm)
Frame Lowered	9 in (229 mm)	3 in (76 mm)	5 in (127 mm)	8 in (203 mm)

Paver

Paver width	10 ft 4 in (3.15 m)
Paving width (std)	10 ft (3.05 m)
Paving width (max)	30 ft (9.1 m)
Paving depth (max)	12 in (305 mm)
Paving speed (max)	290 ft/min (88 m/min)
Travel speed (max)	11.2 mph (18 km/hr)
Drive tires	12-ply 24.5 x 32 in (622 x 813 mm)
Front wheels	16 in wide x 22 in dia (406 x 559 mm)
Brakes	hydrostatic steering; multiple disc parking

Weight*

Tractor	35,970 lbs (16,316 kg)
with Fastach [®] 10 and hydroflated tires	39,970 lbs (18,130 kg)
with VersaScreed 210 and hydroflated tires	41,970 lbs (19,037 kg)
with Stretch 20 and hydroflated tires	43,870 lbs (19,899 kg)

*Weights are based on average shipping weights.

Engine

Make/Model	Cummins QSB6.7
Type	Tier 3 turbocharged diesel
Horsepower	260 hp (194 kW) @ 2200 rpm
Electrical	105 amp, 12 vdc

Capacities

Diesel fuel	72 gal (273 L)
Hydraulic oil	75 gal (284 L)
Cooling system	6.5 gal (25 L)

Spreading Auger Sections

Construction	Cast, high alloy
Diameter	16 in (406 mm)
Thickness	5/8 in (16 mm)

Hopper

Length & width	8 ft 2 in x 10 ft 4 in (2,489 x 3,150 mm)
Volume	267 ft ³ (7.56 m ³)
Capacity	16.7 tons (15 tonnes)
Feed tunnel width (each)	30 in (762 mm)
Remix augers (diameter)	10 in (254 mm)
Auger thickness	5/8 in (16 mm)
Trough liner thickness	3/4 in (9.5 mm)

Screed

Screed plate	34 in x 10 ft (864 x 3,048 mm)
Thickness	1/2 in (12.7 mm)
Positive crown (hydraulically powered)	3 in (76 mm)
Negative crown (hydraulically powered)	1 in (25 mm)
Vibrations per minute (max)	3,000
Heaters	
Fastach 10 (two oil heaters)	178,000 BTU (total)
	1.3 gph (4.9 liters/hr)
VersaScreed 210 (electric heat)	34 kW generator
Stretch 20 (four oil heaters)	274,000 BTU (total)
	2.0 gph (7.6 liters/hr)
Stretch 20 (electric heat)	34 kW generator

Optional Equipment

- Stretch 20 screed with electric or oil heat
- VersaScreed 210 with electric heat
- Fastach[®] 10 screed with electric or oil heat
- Generation 3 proportional or sonic material feed control
- Mechanical or sonic grade and slope control
- Multi-foot grade reference system
- Sonic averaging system
- Proportional steer assist
- Material feed package
- Bevel guide plates
- Cutoff shoes, 12 in (305 mm) and 24 in (610 mm) sections
- 30 ft (9,144 mm) hose reel for spray-down
- Back-up alarm
- Additional umbrella
- 500-hour filter kit

Effective Date: March 2008. Product specifications and prices are subject to change without notice or obligation. The photographs and/or drawings in this document are for illustrative purposes only. Refer to the appropriate Operator's Manual for instructions on the proper use of this equipment. Failure to follow the appropriate Operator's Manual when using our equipment or to otherwise act irresponsibly may result in serious injury or death. The only warranty applicable to our equipment is the standard written warranty applicable to the particular product and sale and Terex makes no other warranty, express or implied. Products and services listed may be trademarks, service marks, or trade names of Terex Corporation and/or its subsidiaries in the USA and other countries. All rights are reserved. Terex is a registered trademark of Terex Corporation in the USA and many other countries. Copyright 2008 Terex Corporation.

Terex Roadbuilding
 P.O. Box 1985, Oklahoma City, OK 73101
 (405) 787.6020 1-888-TEREXRB
 www.terexrb.com

